

Prem's **SPW-1000 Series** is a group of 2.5VA, International-Capable, Standard Profile, PC mount transformers with dual 115/230V primaries and dual secondaries that are designed to be used in low power applications. They provide the high isolation, creepage, and clearance distances required to comply with many international safety standards.

- Dual primaries & dual secondaries: Must be series or parallel connected
- Insulation system: Class B (130°C), UL 1446 (File E85315)
- Dielectric strength: 4500Vrms primary to secondary
- UL94V-0-rated bobbin & shroud
- Shrouded primary & three flange bobbin design; no electrostatic shield required
- Anchor, insulating, and crossover tapes plus two distinct, separate windings for each primary & secondary assure excellent dielectric strength capabilities
- 100% final tested: Every transformer is tested on automated panels for induced voltage (shorted turns), exciting current, open circuit voltage (turns ratio), polarity (phasing), and dielectric strength
- Immersed in 100% solids epoxy resin to withstand most aqueous and solvent cleaning systems
- Other primary and secondary voltages may be custom designed to your specifications

SPW-1000 Series (2.5VA) Data Sheet

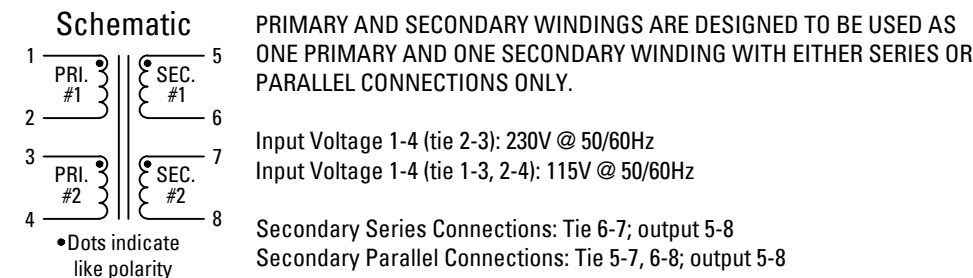
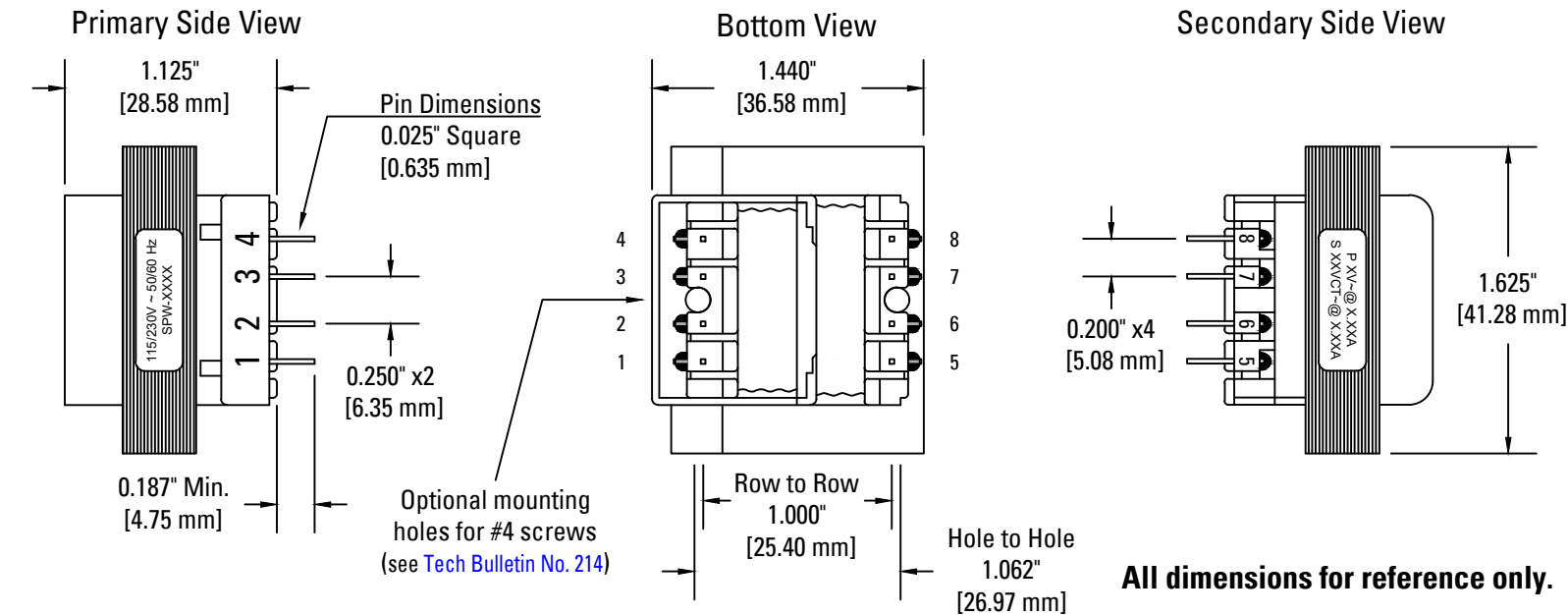
AGENCY CERTIFICATIONS:

UL 1446 (File E85315)

UL 1950 (File E125106)

UL 1585/5085-3 (Class 2 & 3):
(File E125107)

UL tested to CAN/CSA
C22.2 No. 66.1-06 &
No. 66.3-06 Class 2
(File 063944)



PART NUMBER	RMS RATING WITH SECONDARIES IN:	
	SERIES	PARALLEL
SPW-1000	10VCT @ 250mA	5V @ 500mA
SPW-1001	12.6VCT @ 200mA	6.3V @ 400mA
SPW-1002	16VCT @ 150mA	8V @ 300mA
SPW-1003	20VCT @ 120mA	10V @ 240mA
SPW-1004	24VCT @ 100mA	12V @ 200mA
SPW-1005	28VCT @ 90mA	14V @ 180mA
SPW-1006	36VCT @ 70mA	18V @ 140mA

FUSE TYPES/VALUES USED TO GAIN SAFETY AGENCY COMPONENT RECOGNITION:

Fuse circuit location: Primary Fuse manufacturer: Littelfuse, Inc. (Des Plaines, IL)
 Fuse P/N: 218.032 (230V Input) or 218.063 (115V Input)

6/3/19 | -1 | Updated agency approvals | AG

DATE | ISS. | REVISION | BY

Designed by: JRH 4/23/91
 Drawn by: AG 5/20/19
 Checked by: DB & TJK
 Drawing rev.: SPW-1000-1

PREM[®]
MAGNETICS, INC.

3521 N Chapel Hill Rd
 Johnsburg, IL 60051
www.premmagnetics.com